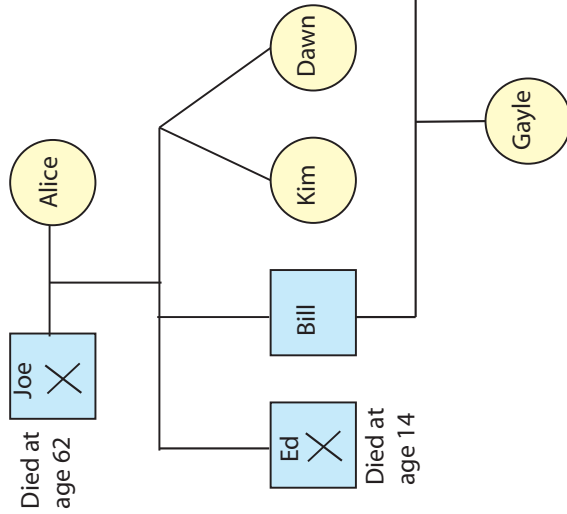
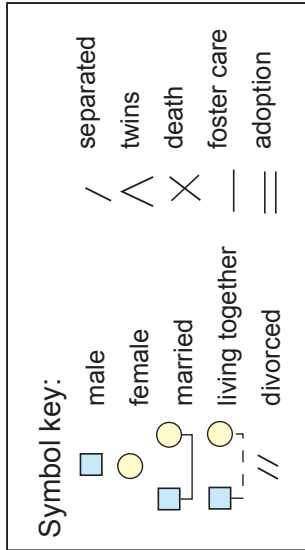
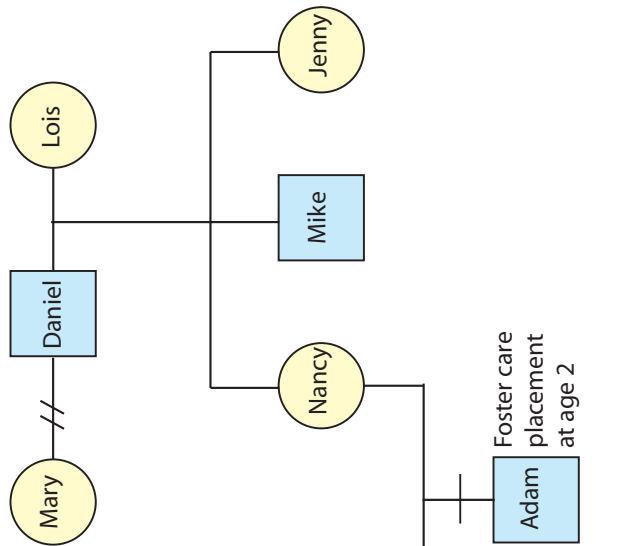


GENOGRAM

Paternal Grandparents



Maternal Grandparents



Other Notations:

Name and age of the person are written in the circle or square. The following descriptions may be noted: the age joined the family through adoption, relative care or foster care; personality traits; emotional connections to the client; substance abuse issues; level of education; occupation; etc.

GENOGRAM



ACT Facilitator's Guide

The Core Issues Practice Tools